

Spark LINK User Manual

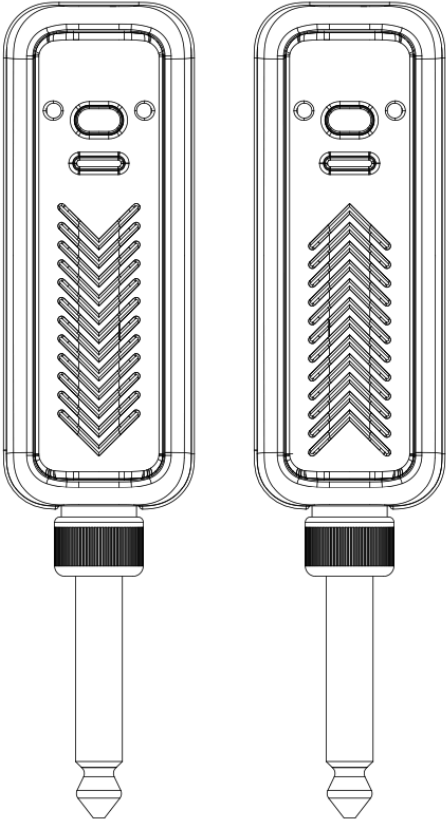


Table of Contents

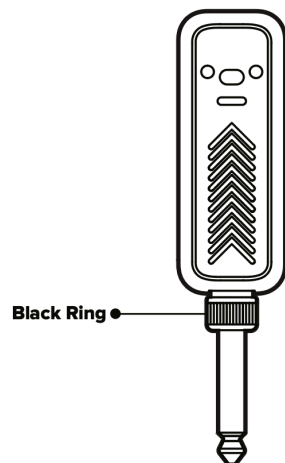
- 02** Product Specifications
- 02** What's In The Box?
- 04** Get Started
- 05** Operation
- 06** Charging Spark LINK
- 06** Auto Power Management
- 07** Manual Power Reset

Product Specifications

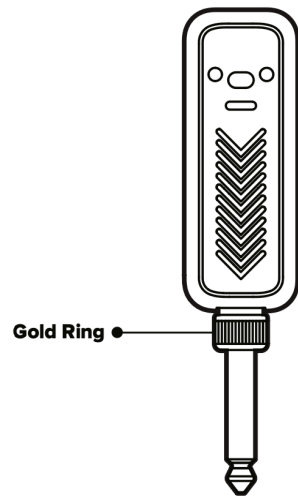
- Frequency range: 2.4GHz
- Sample rate: 24-bit, 48 kHz
- Frequency response: 20 Hz - 20 kHz
- Dynamic range: 96 dB
- Latency: < 3ms
- Line of sight range: 70ft (21 meters)
- Battery life: up to 6 hours of continuous use
- Charging time: approx. 2 hours

What's In The Box?

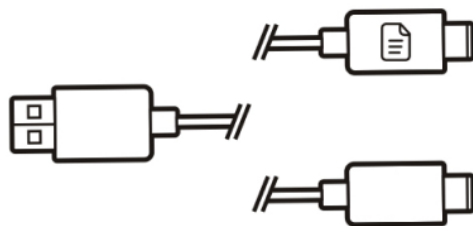
- Spark LINK TX – Transmitter that plugs into your guitar.



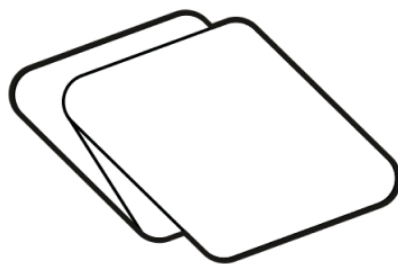
- Spark LINK RX – Receiver that plugs into your amp.



- USB-A to USB-C charging cable.



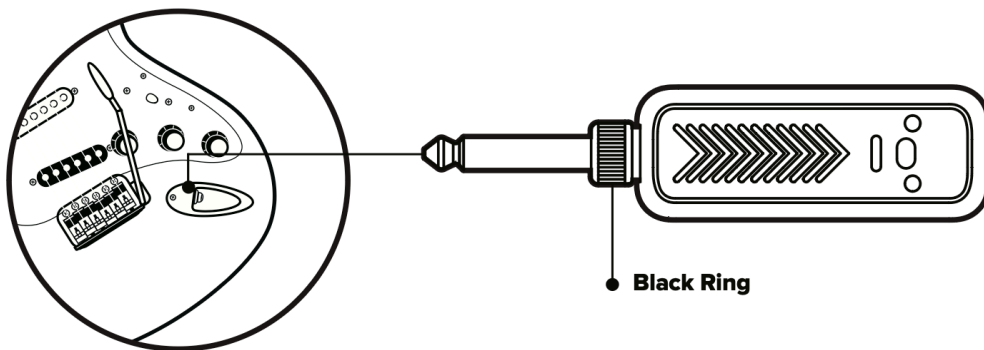
- Quick Start Guide and Safety Instructions.



Get Started

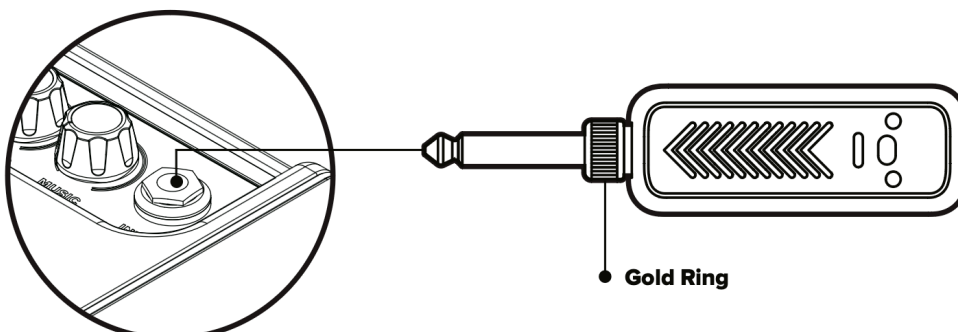
● Connect The Transmitter (TX) To Your Guitar

1. Plug Spark LINK TX into the output jack of your guitar.
2. Adjust the hinge so that Spark LINK TX sits comfortably on your guitar.
3. Press and hold the button to turn on.

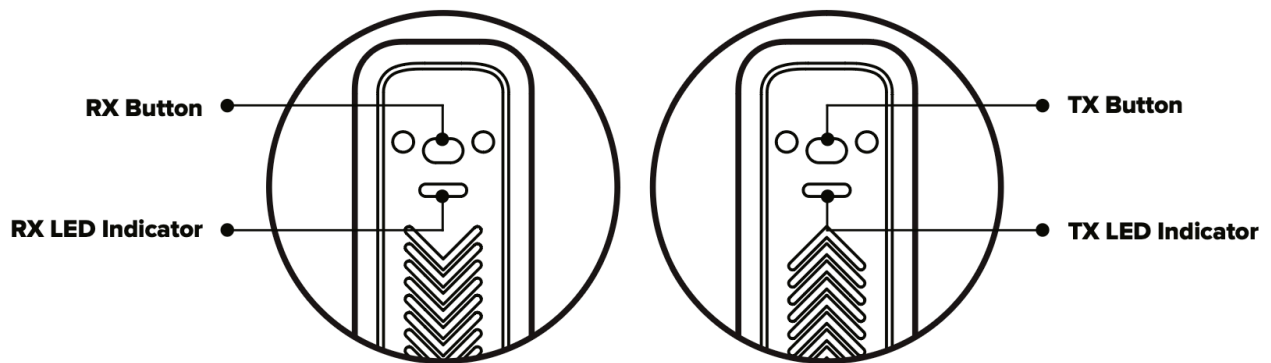


● Connect The Receiver (RX) To An Amp or Effect Pedal

1. Plug Spark LINK RX into the input of your amp or effect pedal.
2. Press and hold the button to turn on.



Operation



- **Pairing Spark LINK We TX and Spark LINK RX**

Spark LINK TX and Spark LINK RX will automatically pair once both are turned on. The LED will flash blue while pairing and once paired, will show battery status. You can connect up to four Spark LINK setups for simultaneous jamming within the same space.

- **Re-Pairing Spark LINK TX and Spark LINK RX**

While both powered on, double-press the button on Spark LINK TX to scan and re-pair to Spark LINK RX.

- **Muting Spark LINK**

Quick-press the Power button on Spark LINK TX to mute and unmute. The LED will flash yellow and green.

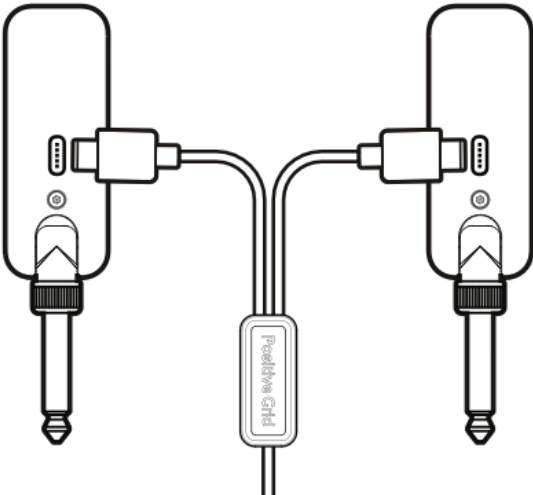
- **LED Indicator**

The LED will flash blue while pairing and once paired, will show battery status.

LED Color	Status
Blue	TX / RX Pairing / Connecting
Green	Battery Level : 60% - 100%
Yellow	Battery Level : 6% - 60%
Red	Battery Level : Below 5%

Charging Spark LINK

Plug Spark LINK TX and Spark LINK RX into a USB power supply with the USB cable provided. It is recommended the power supply be 5V-1A.



While charging, the LED indicator on both devices will display battery level.

LED Color	Charge Status
Flashing Red	Below 5%
Flashing Yellow	6% - 60%
Flashing Green	60% - 99%
Solid Green	100%

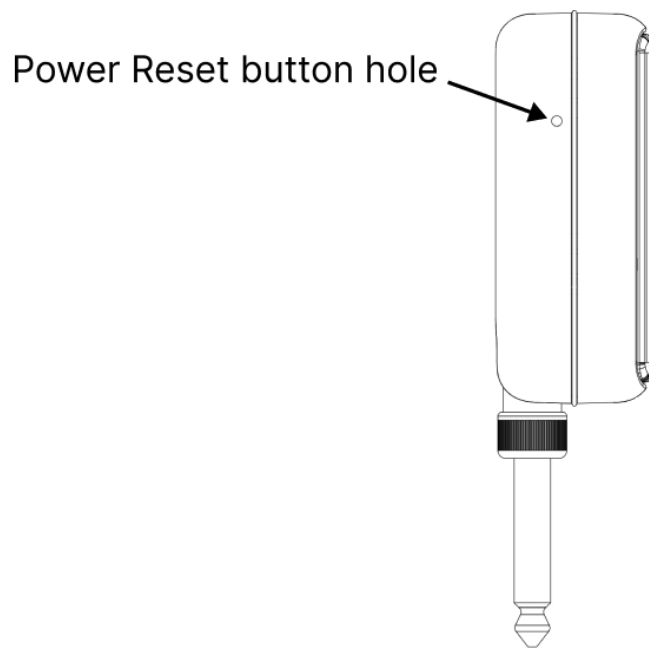
Auto Power Management

If there's no signal for 15 minutes, Spark LINK TX will automatically turn off to conserve battery. Spark LINK RX will likewise turn off after 15 seconds if it detects no connection to Spark LINK TX.

Manual Power Reset

If you encounter any issues with Spark LINK that render it unusable or shut down properly, you can resolve the issue by performing a manual power reset:

1. Locate the reset button inside the small hole on the side of Spark LINK.



2. Use a needle or paperclip to gently insert into the reset button hole. Press the reset button once to reset power.